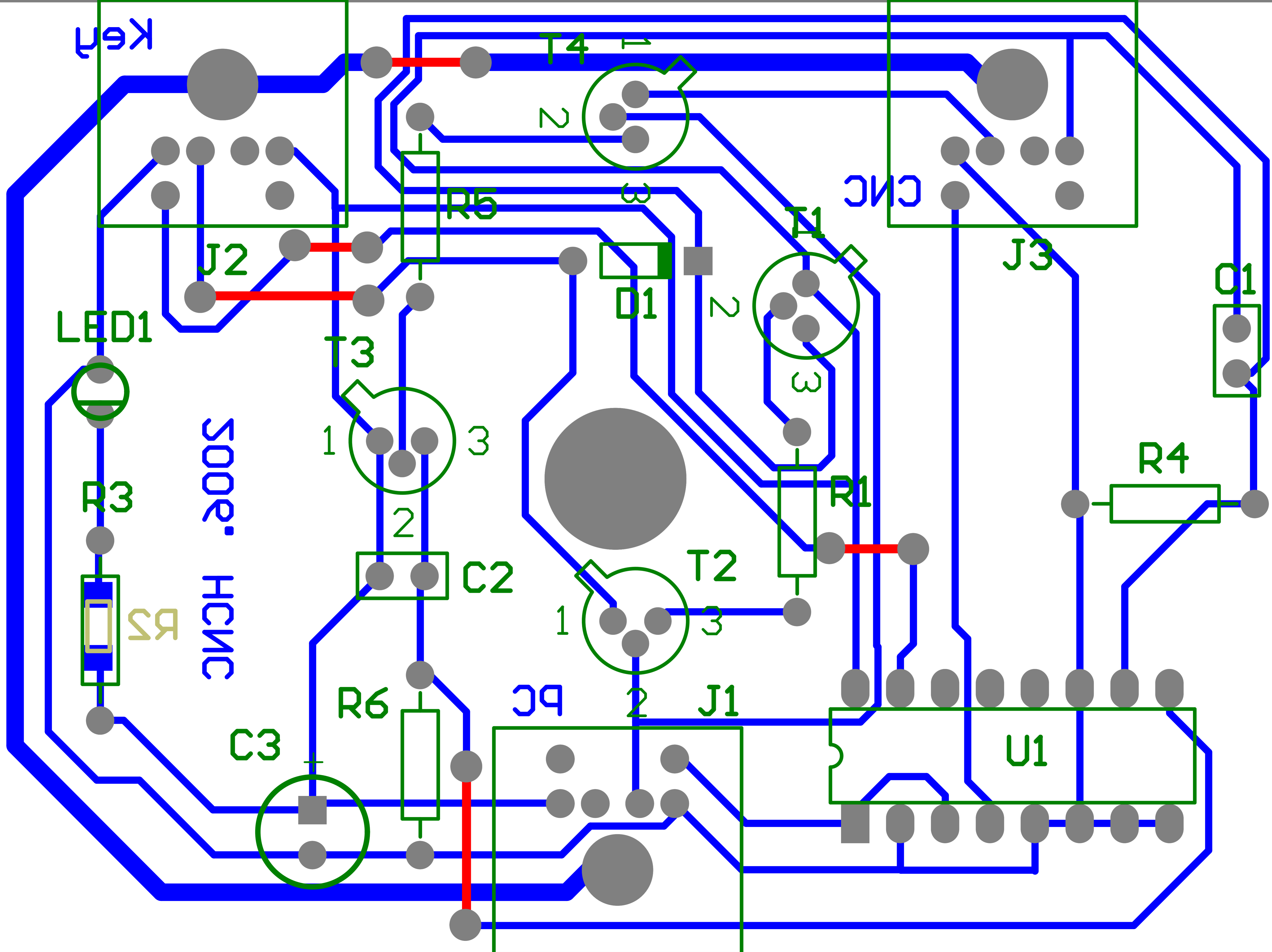


mm-cuc-ekr oujka-yn



K9K

T4

2

R5

CNC

J2

J3

LED1

D1

T3

T1

1

3

R3

500Ω HCNC

2

C2

R1

R4

R2

1

T2

3

C3

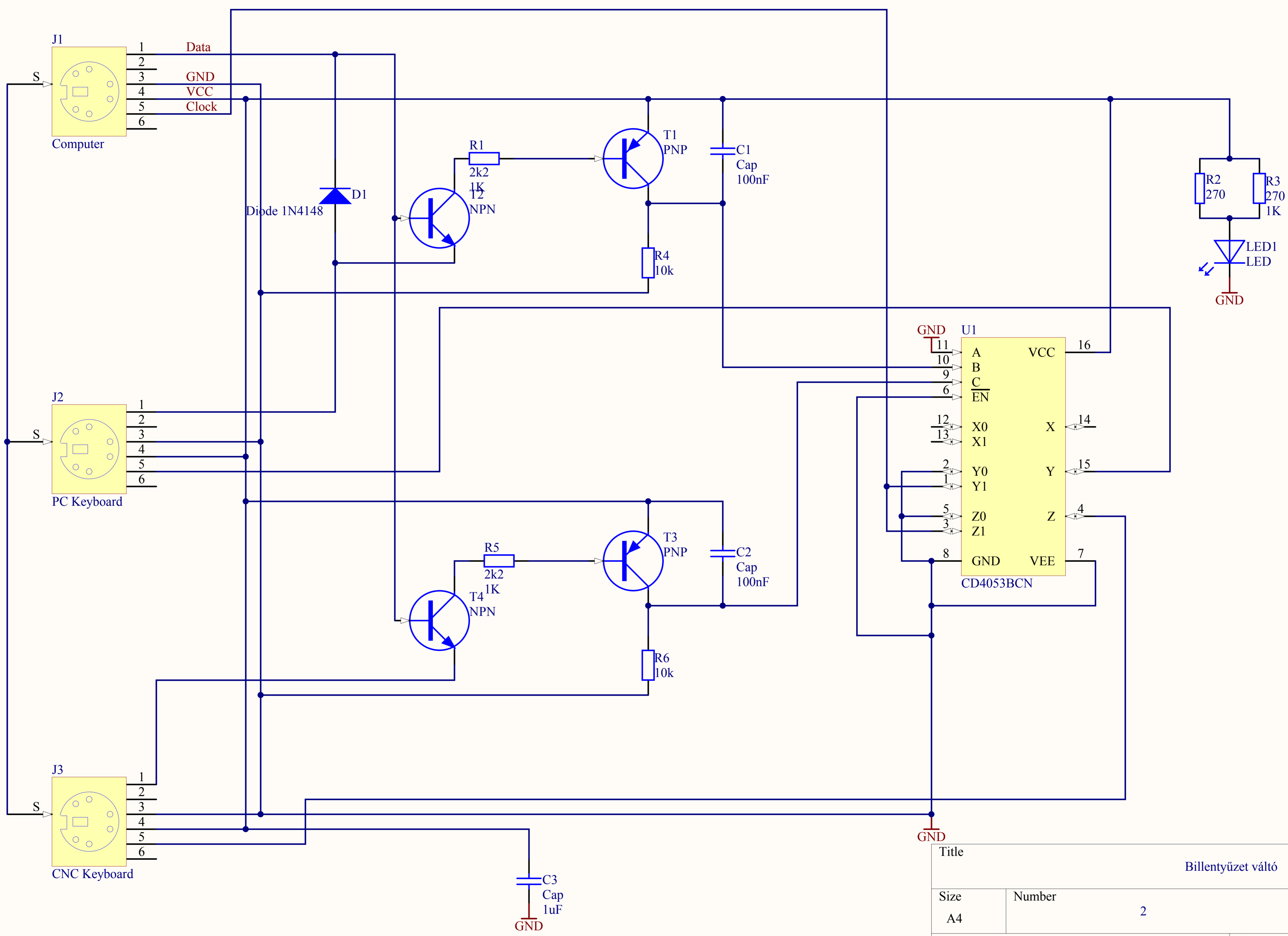
R6

C9

2

J1

U1



Title		Billentyűzet váltó	
Size	Number	Revision	
A4	2	A	
Date:	2006.09.20.	Sheet of	A
File:	C:\Documents and Settings\...\Splitt.SchDoc	Drawn By:	Magi István